

## Standard Preparation 2600 mm Work Table with Upstand and underframe

ITEM # \_\_\_\_\_

MODEL # \_\_\_\_\_

NAME # \_\_\_\_\_

SIS # \_\_\_\_\_

AIA # \_\_\_\_\_


**133239 (TG2600UN)**

 Work Table with 100mm  
 upstand and underframe,  
 2600 mm

### Short Form Specification

**Item No.** \_\_\_\_\_

The 50mm high worktop in 304 AISI stainless steel, 1mm in thickness, has upturned edges and incorporates a layer of sound deadening, waterproof and fireproof material. Integral radiused rear upstand, h=100mm. Square section legs 40x40mm on 1" height-adjustable feet in 304 AISI stainless steel.

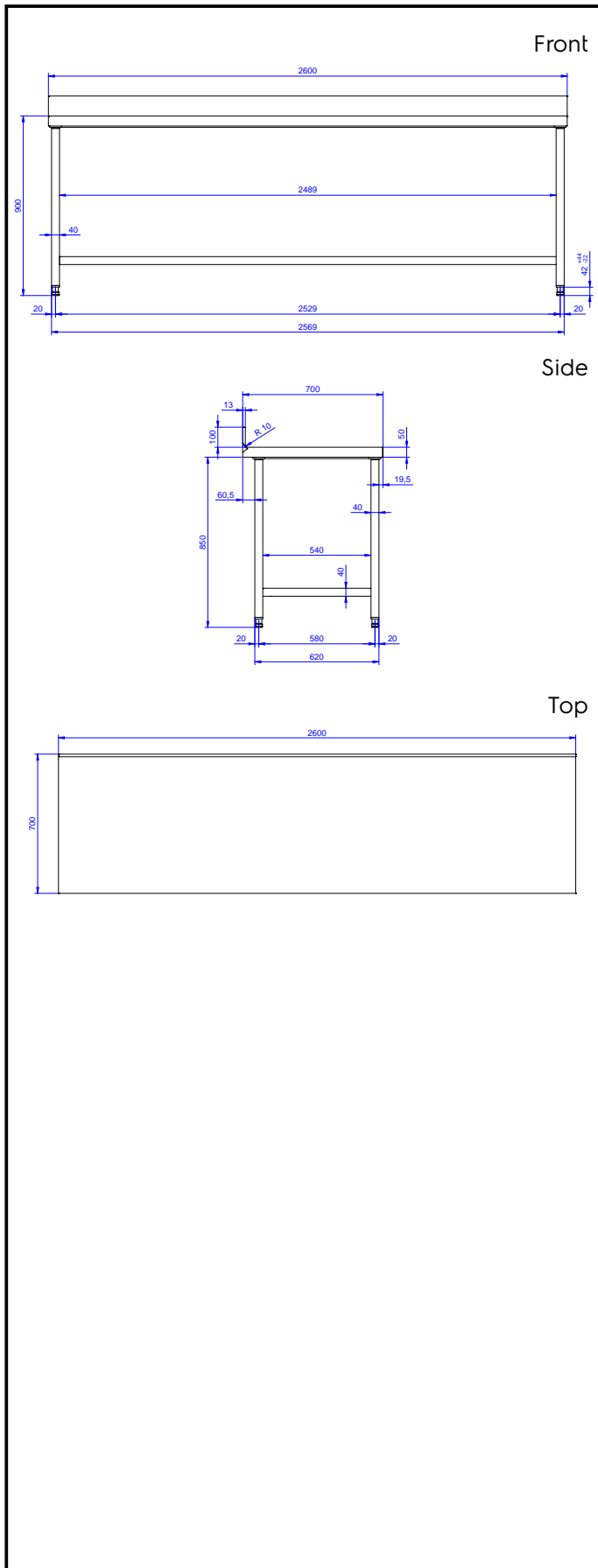
### Construction

- 100 mm upstand with 8 mm radiused corner and 13 mm deep, designed to be used against a wall.
- 50 mm worktop in 304 AISI stainless steel, 10/10 in thickness with upturned edges and reinforced waterproof underpanel, incorporates a layer of sound deadening materials.
- Square section legs and 40 mm height-adjustable feet in 304 AISI stainless steel.
- Table top slots into legs without using screws to facilitate installation.
- 400 or 600 mm wide single drawer, chest of 4 drawers, lower shelf, three-sided underframe and set of castors as alternative to the feet, can be fitted as optional on all work tables.
- 40 mm-thick lower shelf (available as optional accessory on some models) slots easily into place at a height of 200 mm from the floor. Lower shelf is compulsory to install the chest of drawers.
- Provided with three-sided underframe as standard accessory.

### Optional Accessories

- Set of 4 wheels (2 with brake) PNC 855150   
 d. 100mm for tables and sinks  
 (total height on wheels= 993 mm)
- Single drawer GN 1/1, 400mm PNC 855280
- Single drawer, 600mm PNC 855281
- Additional drawer, 600mm (to PNC 855295   
 set up a chest of 2, 3, 4 drawers)
- Additional drawer GN 1/1, PNC 855298   
 400mm (to set up a chest of 2, 3, 4 drawers)
- Lower shelf for 2600 mm PNC 855366   
 tables and sinks

**APPROVAL:** \_\_\_\_\_



### Key Information:

<b>External dimensions, Width:</b>	
133239 (TG2600UN)	2600 mm
<b>External dimensions, Depth:</b>	700 mm
<b>External dimensions, Height:</b>	1000 mm
<b>Upstand Dimensions, Height:</b>	100 mm
<b>Upstand Dimensions, Depth:</b>	13 mm
<b>Upstand Dimensions, Radius:</b>	R=8
<b>Worktop thickness:</b>	50 mm
<b>Net weight:</b>	91 kg